



Internal Use Only

<http://biz.lgservice.com>

Room Air Conditioner

SVC MANUAL(Exploded View)

MODEL : ASUW096CUU0
ASUW126CUU0

CAUTION

Before Servicing the unit, read the safety precautions in General SVC manual.
Only for authorized service personnel.

1. Specification

Models		Unit	ASUW096CUU0[H09AWU.UC0]	ASUW126CUU0[H12AWU.UC0]
Cooling Capacity		kW	0.89~2.50~3.70	0.89~3.50~4.04
Heating Capacity		kW	0.89~3.10~5.00	0.89~4.00~6.00
Low Temp. Heating Capacity(-7°C)		kW	3.1	3.8
Power Input	Cooling/Heating	W	460/560	760/860
Running Current	Cooling/Heating	A	2.2/2.6	3.5/4.0
Starting Current	Cooling/Heating	A	2.2/2.6	3.5/4.0
Max Current	Cooling/Heating		10	10
EER		W/W	5.43	4.61
		Btu/h.W	18.54	15.71
COP		W/W	5.54	4.65
Power Supply		Ø / V / Hz	1 / 220-240 / 50	1 / 220-240 / 50
Power Factor		%	96	98
Air Flow Rate	Indoor,Max	m3/min(CFM)	12.0(423)	12.0(423)
	Outdoor,Max	m3/min(CFM)	33(1,165)	33(1,165)
Moisture Removal		l/h.	1.1	1.3
Sound Pressure Level	Indoor,H/M/L	dB(A)±3	37/32/23/21	38/32/23/21
	Outdoor,Max	dB(A)±3	48	48
Sound Power Level	Indoor,Max	dB(A)	63	63
	Outdoor,Max	dB(A)	65	65
Refrigerant & Charge (at 7.5 m)		g(oz)	R410A,1000(35.3)	R410A,1000(35.3)
Additional Refrigerant charge		g/m(oz/ft)	20(0.22)	20(0.22)
Compressor	Type		1P Rotary	1P Rotary
	Model		5RS102XAA21	5RS102XAA21
	Motor Type		Brushless DC Motor	Brushless DC Motor
	Oil Type		PVE(FV50S)	PVE(FV50S)
	Oil Charge	cc	320	320
	O.L.P. name		-	-
Fan(Indoor)	Type		Cross Flow Fan	Cross Flow Fan
	Motor Output	W	20	20
Fan(Outdoor)	Type		Propeller	Propeller
	Motor Type		BLDC	BLDC
	Motor Output	W	43	43
Circuit Breaker*		A	15	15
Power Supply Cable		No.*mm ²	3*1.0	3*1.0
Power and Transmission Cable No.*mm ²		No.*mm ²	4*1.0	4*1.0
Piping Connections	Liquid Side	mm(in)	6.35(1/4)	6.35(1/4)
	Gas Side	mm(in)	9.52(3/8)	9.52(3/8)
Drain Hose(O.D / I.D.)		mm(in)	21.5 / 16.0(0.85 / 0.63)	21.5 / 16.0(0.85 / 0.63)
Dimensions	Indoor (W*H*D)	mm	1030*325*245	1030*325*245
		inch	40.6*12.8*9.84	40.6*12.8*9.84
	Outdoor (W*H*D)	mm	770*545*288	770*545*288
		inch	30.3*21.5*11.3	30.3*21.5*11.3
Net Weight	Indoor	kg(lbs)	15.5(34.2)	15.5(34.2)
	Outdoor	kg(lbs)	34(74.95)	34(74.95)
Operation Range	Cooling(Outdoor)	°C(°F)	-10~43(14~109.4)	-10~43(14~109.4)
	Heating(Outdoor)	°C(°F)	-10~24(14.0~75.2)	-10~24(14.0~75.2)
Piping Length (Min/Max)		m(ft)	- / 15(49.2)	- / 15(49.2)
Chargeless		m(ft)	-	-
Max. Elevation Difference		m(ft)	7(23)	7(23)
Tool Code(Chassis)			SC + UL2	SC + UL2
Functions	Indoor + Outdoor		Thermistor	Thermistor
	Temperature Control			
	Plasma Filter		O	O
	Prefilter(washable/anti-fungus)		O	O
	Anti Allergy Filter		O	O
	Deodorizer Filter(Triple Filter)		O	O
	H1N1 Filter		O	O
	Auto Clean		O	O
	CHAOS Wind(Auto Wind)		O	O
	Steps, Fan/Cool/Heat		5/6/6	5/6/6
	Airflow Direction Control(up& Down)		Auto	Auto
	Airflow Direction Control(left & right)		Auto	Auto
	Remote Controller Type		Wireless LCD	Wireless LCD
	Setting Temperature Range	Cooling	18°C ~ 30°C	18°C ~ 30°C
		Heating	16°C ~ 30°C	16°C ~ 30°C
	Auto Operation (Micom Control)		-	-
	Auto Changeover (Micom Control)		O	O
	Self Diagnosis		O	O
	Timer		24h, On/Off	24h, On/Off
	Sleep Operation		O	O
	Soft Dry Operation		O	O
	Restart Delay(minute)		3	3
	Device Control(Defrost)		O	O
	Hot Start		O	O
	Jet Cool		O	O
	Low Ambient Operation		O	O
	Special Function		-	-

Note:

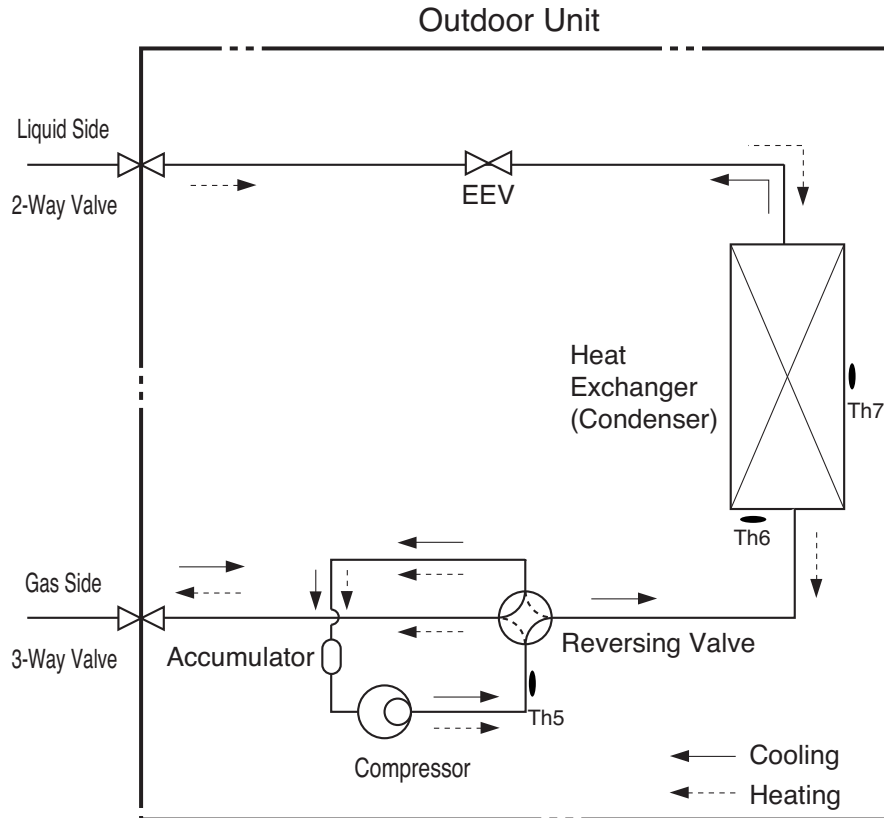
O : Applied, - : No relation

* For circuit breaker rating, please conform to local standards wherever necessary.

※ Some of functions are slightly different depending upon models.

※ The specification may be subject to change without notice for purpose of improvement.

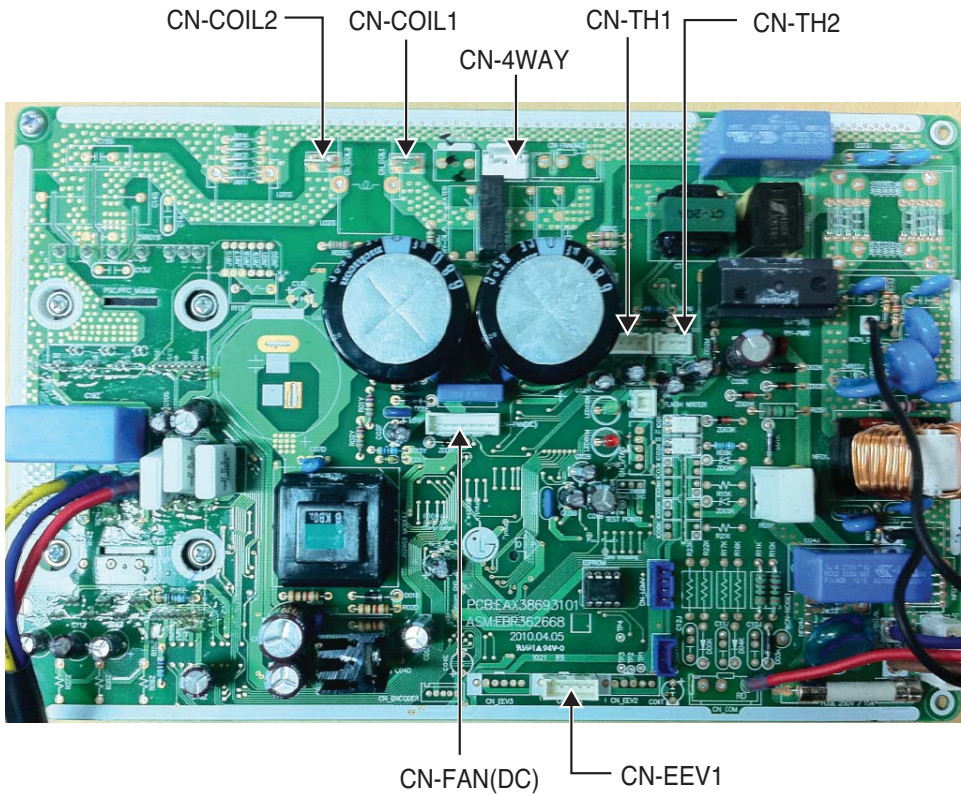
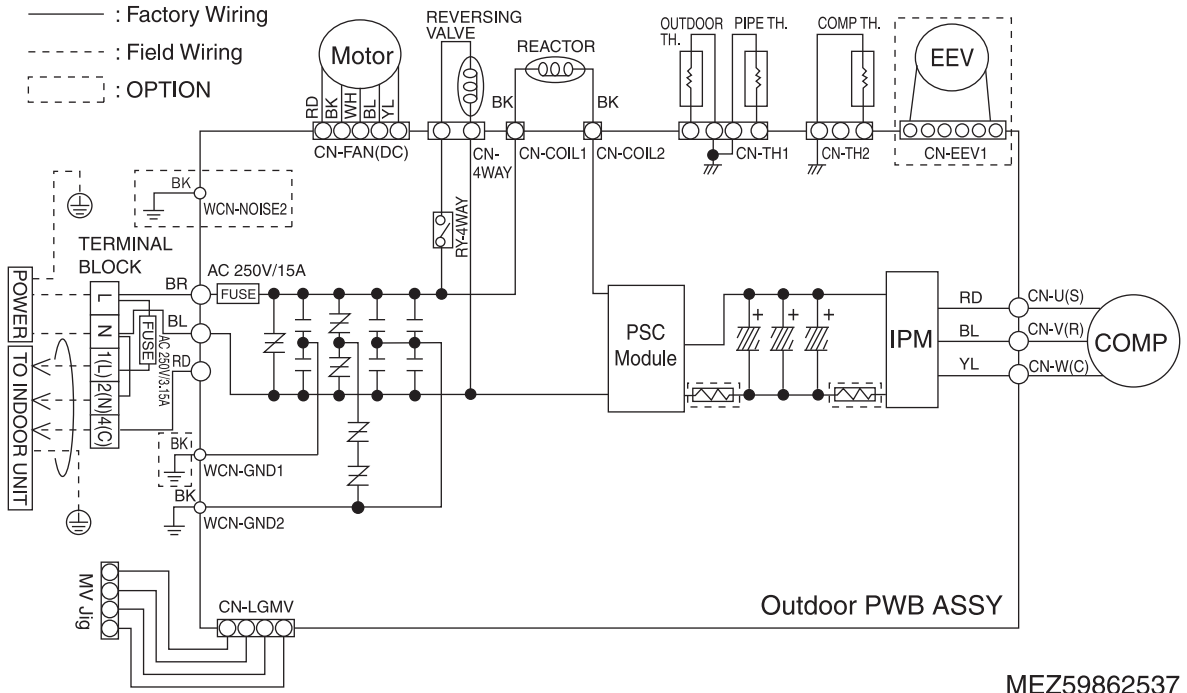
2. Piping Diagrams



LOC.	Description	PCB Connector
Th1	Thermistor for suction air temperature	CN-TH1(Indoor)
Th2	Thermistor for evaporator inlet temperature	
Th3	Thermistor for evaporator outlet temperature	
Th4	Thermistor for evaporator middle temperature	CN-TH3(Indoor)
Th5	Thermistor for discharge pipe temperature	CN-TH2(Outdoor)
Th6	Thermistor for condensing temperature	CN-TH1(Outdoor)
Th7	Thermistor for outdoor air temperature	

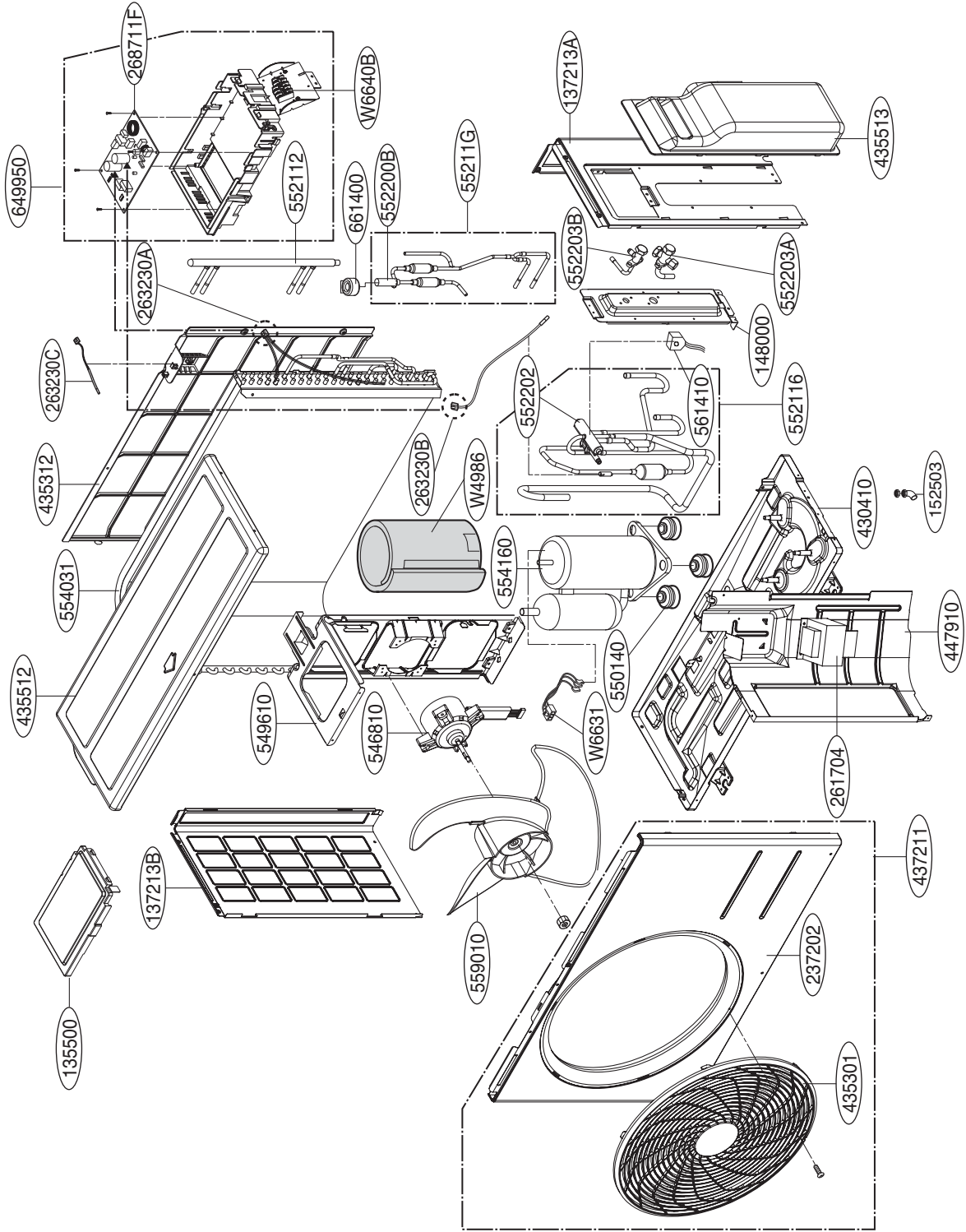
3. Wiring Diagrams

Outdoor Unit



4. Exploded View

Model : ASUW096CUU0/ASUW126CUU0





P/NO : MFL42201046

JANUARY,2011