



Internal Use Only

<http://biz.lgservice.com>

Room Air Conditioner

SVC MANUAL(Exploded View)

**MODEL : ASNH07GB4W0 [E07SQ NB0]
ASNH09GB4W0 [E09SQ NB0]
ASNH12GB4W0 [E12SQ NB0]**

CAUTION

Before Servicing the unit, read the safety precautions in General SVC manual.
Only for authorized service personnel.

1. Specification

Indoor

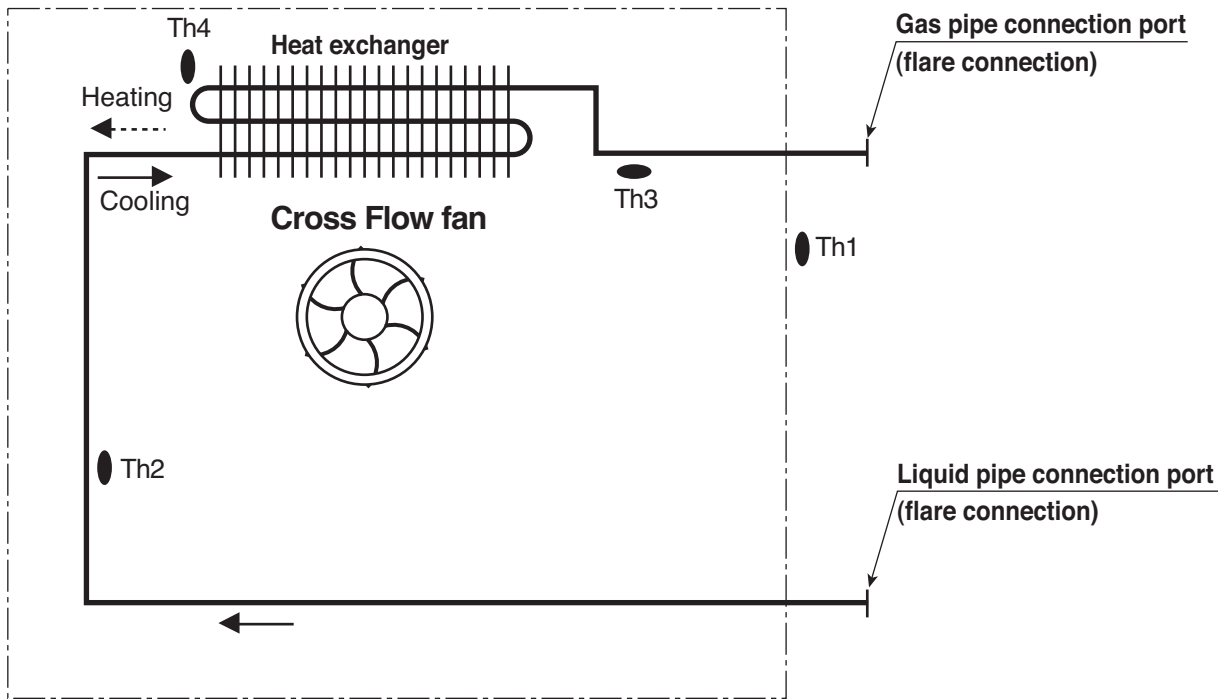
Model			ASNH07GB4W0 [E07SQ NB0]	ASNH09GB4W0 [E09SQ NB0]	ASNH12GB4W0 [E12SQ NB0]
Power supply	Ø/V/Hz		1/ 220~240/ 50	1/ 220~240/ 50	1/ 220~240/ 50
Current	A		0.15	0.15	0.15
Fan	Motor type		BLDC	BLDC	BLDC
	Fan type		Cross Flow Fan	Cross Flow Fan	Cross Flow Fan
Dimensions (W x H x D)	mm(inch)		895 x 285 x 205(35.2 x 11.2 x 8.07)	895 x 285 x 205(35.2 x 11.2 x 8.07)	895 x 285 x 205(35.2 x 11.2 x 8.07)
Piping connections	Liquid	mm(inch)	6.35 (1/4)	6.35 (1/4)	6.35 (1/4)
	Gas	mm(inch)	9.52 (3/8)	9.52 (3/8)	9.52 (3/8)
Refrigerant control			EEV(in Outdoor unit or BD)	EEV(in Outdoor unit or BD)	EEV(in Outdoor unit or BD)
Power&transmission cable	No. x mm ²		4*0.75	4*0.75	4*0.75

Note:

- Capacities are based on the following conditions:
 - Cooling: - Indoor Temperature 27°C(80.6°F) DB/19°C(66.2°F) WB
 - Outdoor Temperature 35°C(95°F) DB/24°C(75.2°F) WB
 - Heating: - Indoor Temperature 20°C(68°F) DB/15°C(59°F) WB
 - Outdoor Temperature 7°C(44.6°F) DB/6°C(42.8°F) WB
 - Piping Length - Interconnecting Piping Length 7.5m
 - Level Difference of Zero
- Wiring cable size must comply with the applicable local and national code.
- The specification may be subject to change without prior notice for purpose of improvement.

Conversion Formula
kW = Btu/h x 0.0002931
cfm = CMM x 35.3

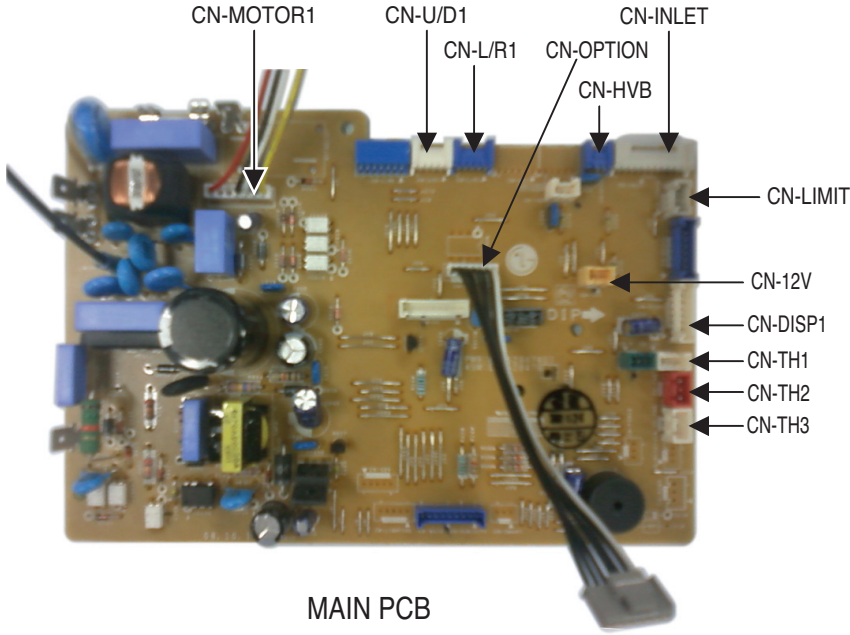
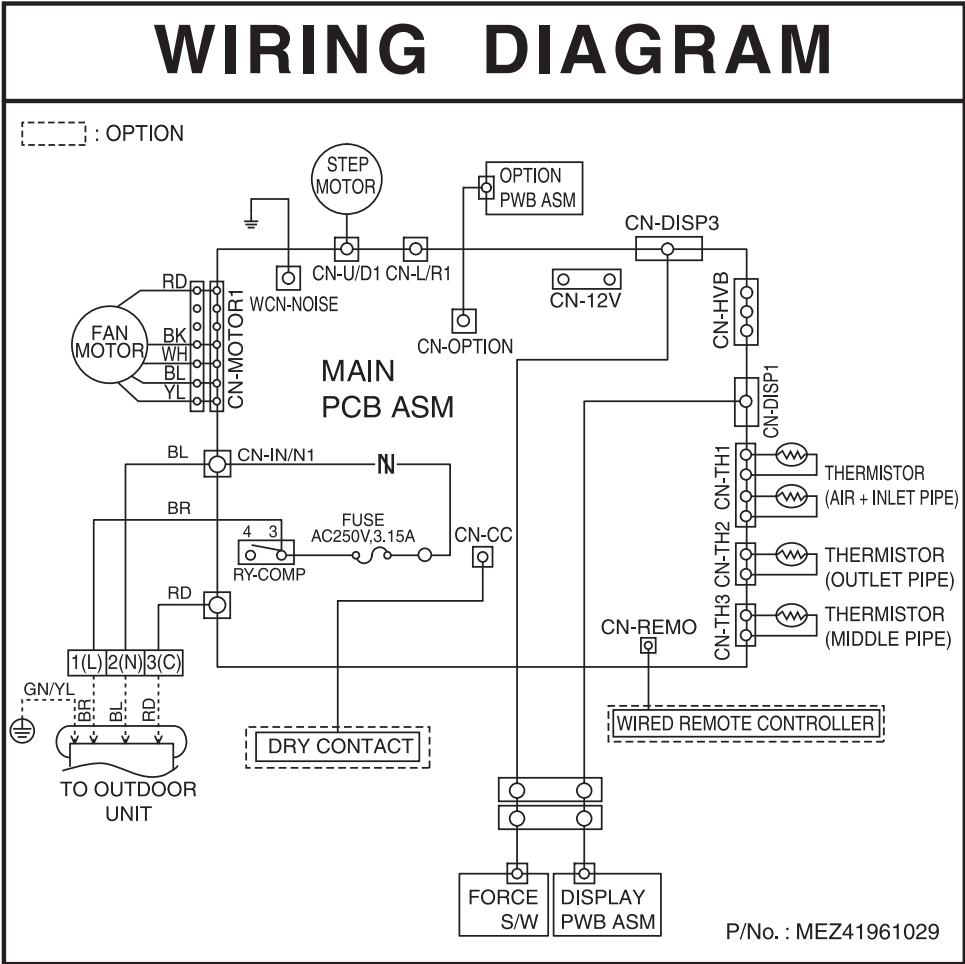
2. Piping Diagrams



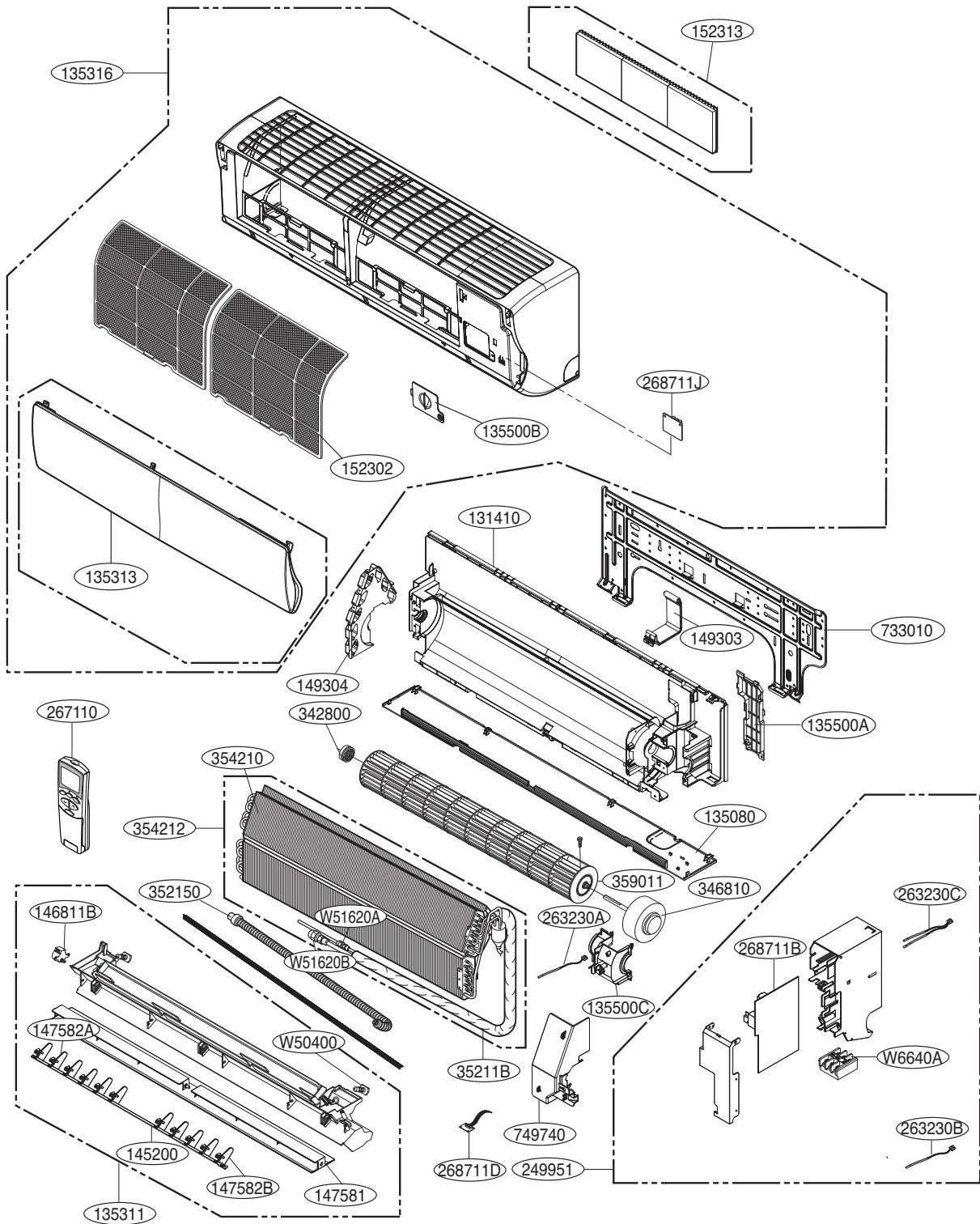
LOC.	Description	PCB Connector
Th1	Thermistor for suction air temperature	CN-TH1(Indoor)
Th2	Thermistor for evaporator inlet temperature	
Th3	Thermistor for evaporator outlet temperature	CN-TH2(Indoor)
Th4	Thermistor for evaporator middle temperature	CN-TH3(Indoor)

3. Wiring Diagrams

Indoor Unit



4. Exploded View



Note) * Please ensure GCSC since the replacement parts may be changed depending upon the buyer's request. Please check the correct parts in View RPL(Replacement Part List) on GCSC. (GCSC Website <http://www.lge.com>)



P/NO : MFL42201037

OCTOBER, 2010