



Internal Use Only

<http://biz.lgservice.com>

# Room Air Conditioner

## SVC MANUAL(Exploded View)

**MODEL : ASUW096B4W0**  
**ASUW126B4W0**

### **CAUTION**

Before Servicing the unit, read the safety precautions in General SVC manual.  
Only for authorized service personnel.

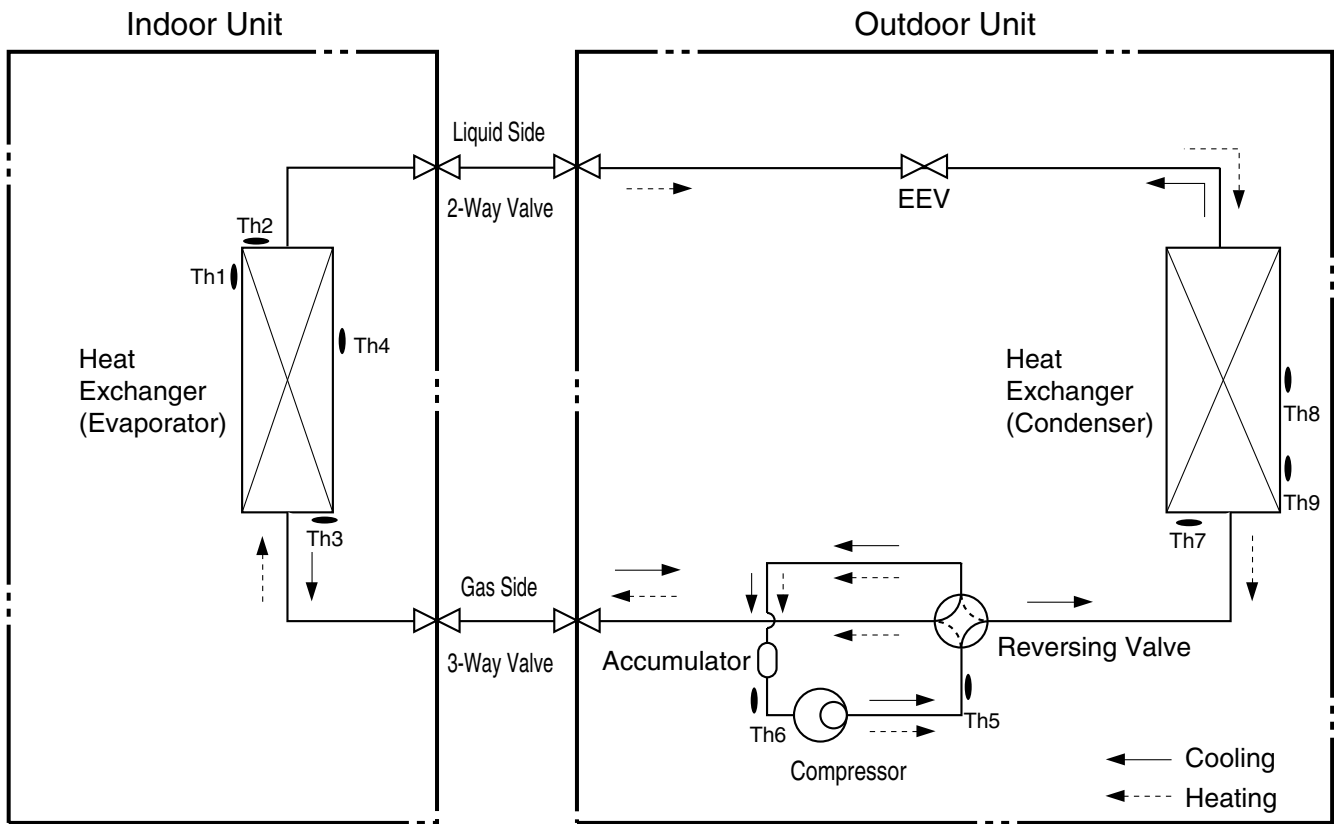
# Product Specifications

Model Spec.			ASUW096B4W0	ASUW126B4W0
Cooling Capacity		kW	0.89~2.50~3.70	0.9~3.50~4.04
		Btu/h.	3.040-8.500-12.600	3.070-11.900-13.800
Heating Capacity		kW	0.89~3.20~4.1	0.89~4.00-5.10
		Btu/h.	3.040-10.900-14.000	3.070-13.650-17.400
Power Input	Cooling/Heating	W	600 / 770	1010 / 1050
Running Current	Cooling/Heating	A	2.66 / 3.40	4.60 / 4.65
EER		W/W	4.17	3.47
COP		W/W	4.16	3.81
Power Supply		Ø / V / Hz	1/220/60Hz	1/220/60Hz
Air Flow Rate	Indoor,Max	m3/min(CFM)	12.0(423)	12.0(423)
	Outdoor,Max	m3/min(CFM)	27(953)	27(953)
Moisture Removal		l/h.	1.1	1.3
Sound Level	Indoor,H/M/L/S-low	dB(A)+3	38 / 33 / 23 / 19	39 / 33 / 23 / 19
	Outdoor,Max	dB(A)+3	47	47
Refrigerant & Charge (at 7.5 m)		g(oz)	R410A, 900(31.8)	R410A, 900(31.8)
Additional Refrigerant charge		g/m	20	20
Compressor	Type		Rotary	Rotary
	Model		GA102DBA	GA102DBA
	Motor Type		Brushless DC Motor	Brushless DC Motor
	Oil Type		PVE(FVC68D)	PVE(FVC68D)
	Oil Charge	cc	310	310
	O.L.P. name		-	-
Fan(Indoor)	Type		Cross Flow Fan	Cross Flow Fan
	Motor Output	W	20	20
Fan(Outdoor)	Type		Propeller	Propeller
	Motor Type		BLDC	BLDC
	Motor Output	W	43	43
Circuit Breaker*		A	15	15
Power Supply Cable		No.*mm2	3*1.0	3*1.0
Power and Transmission Cable No.*mm2		No.*mm2	4*1.0	4*1.0
Piping Connections	Liquid Side	mm(in)	6.35(1/4)	6.35(1/4)
	Gas Side	mm(in)	9.52(3/8)	9.52(3/8)
Drain Hose(O.D / I.D.)		mm(in)	21.5 / 16.0(0.85 / 0.63)	21.5 / 16.0(0.85 / 0.63)
Dimensions	Indoor (W*H*D)	mm	885*285*210	885*285*210
	Outdoor (W*H*D)	mm	717*483*230	717*483*230
Net Weight	Indoor	kg(lbs)	11(24.5)	11(24.5)
	Outdoor	kg(lbs)	28(61.7)	28(61.7)
Operation Range	Cooling(Outdoor)	°C(°F)	-10~48(23~118.4)	-10~48(23~118.4)
	Heating(Outdoor)	°C(°F)	-10~24(14~75.2)	-10~24(14~75.2)
Piping Length (Min/Max)		m(ft)	3(9.8) / 15(49.2)	3(9.8) / 15(49.2)
Max. Elevation Difference		m(ft)	7(23.0)	7(23.0)
Tool Code(Chassis)	Indoor + Outdoor		SB+UA3	SB+UA3

Note : O : Applie, X : Not applied, - : No relation  
 • Filters are optional in some specific areas.

• For Circuit Breaker Rating, please conform to local standards whenever necessary.

## 2. Piping Diagrams

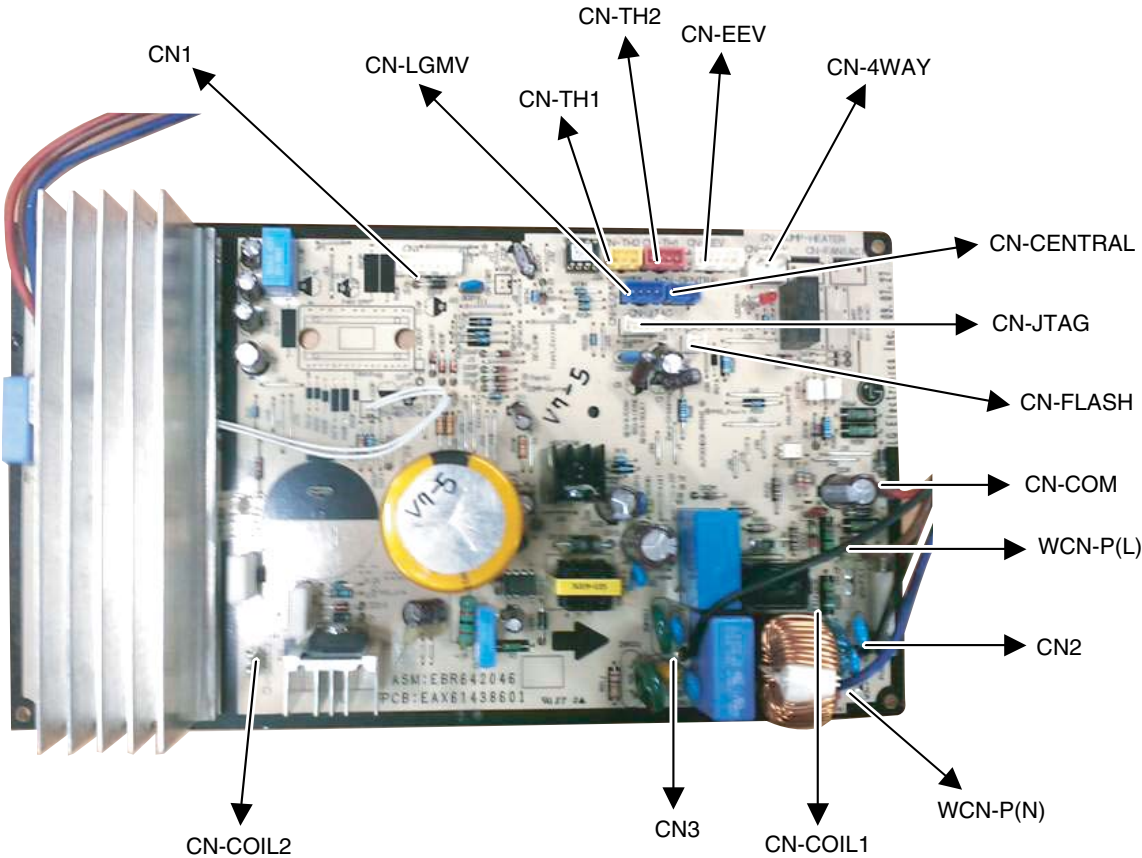
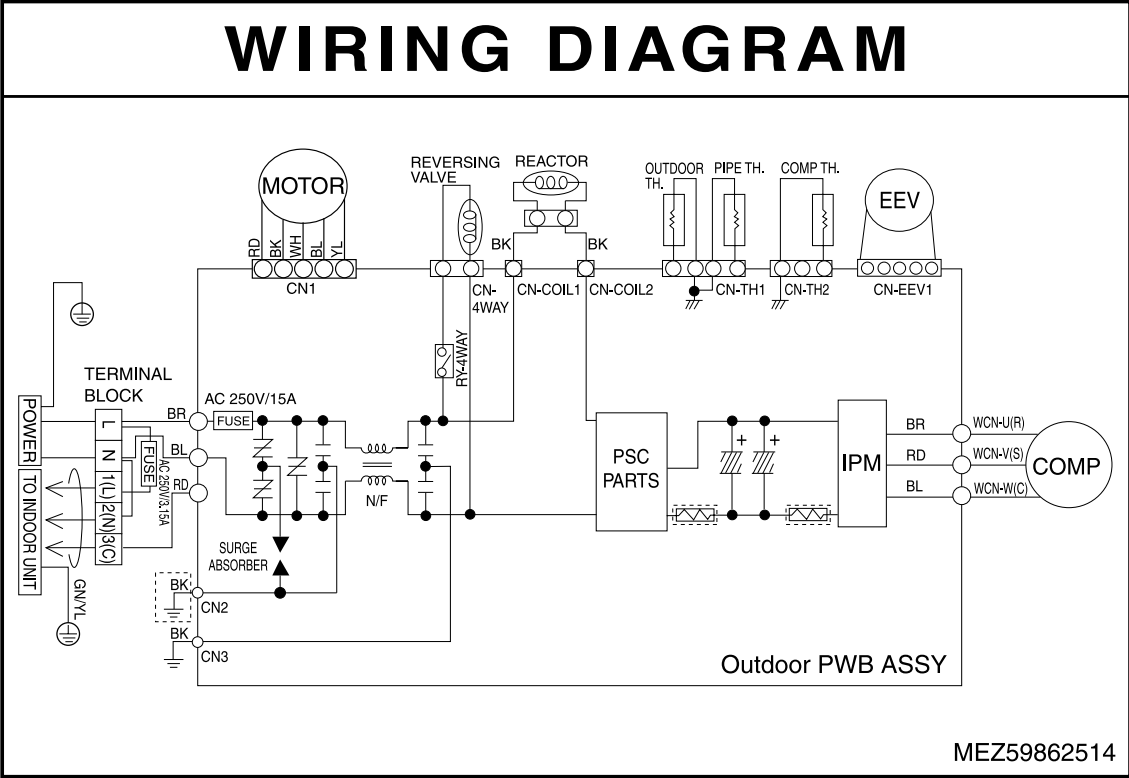


LOC.	Description	PCB Connector
Th1	Thermistor for indoor air temperature	CN-TH1(INDOOR)
Th2	Thermistor for evaporating temperature	CN-TH3(INDOOR)
Th3	Thermistor for discharge pipe temperature	CN-TH1(OUTDOOR)
Th4	Thermistor for condensing temperature	CN-TH2(OUTDOOR)
Th5	Thermistor for outdoor air temperature	CN-TH2(OUTDOOR)

※ EEV : Electronic Expansion Valve

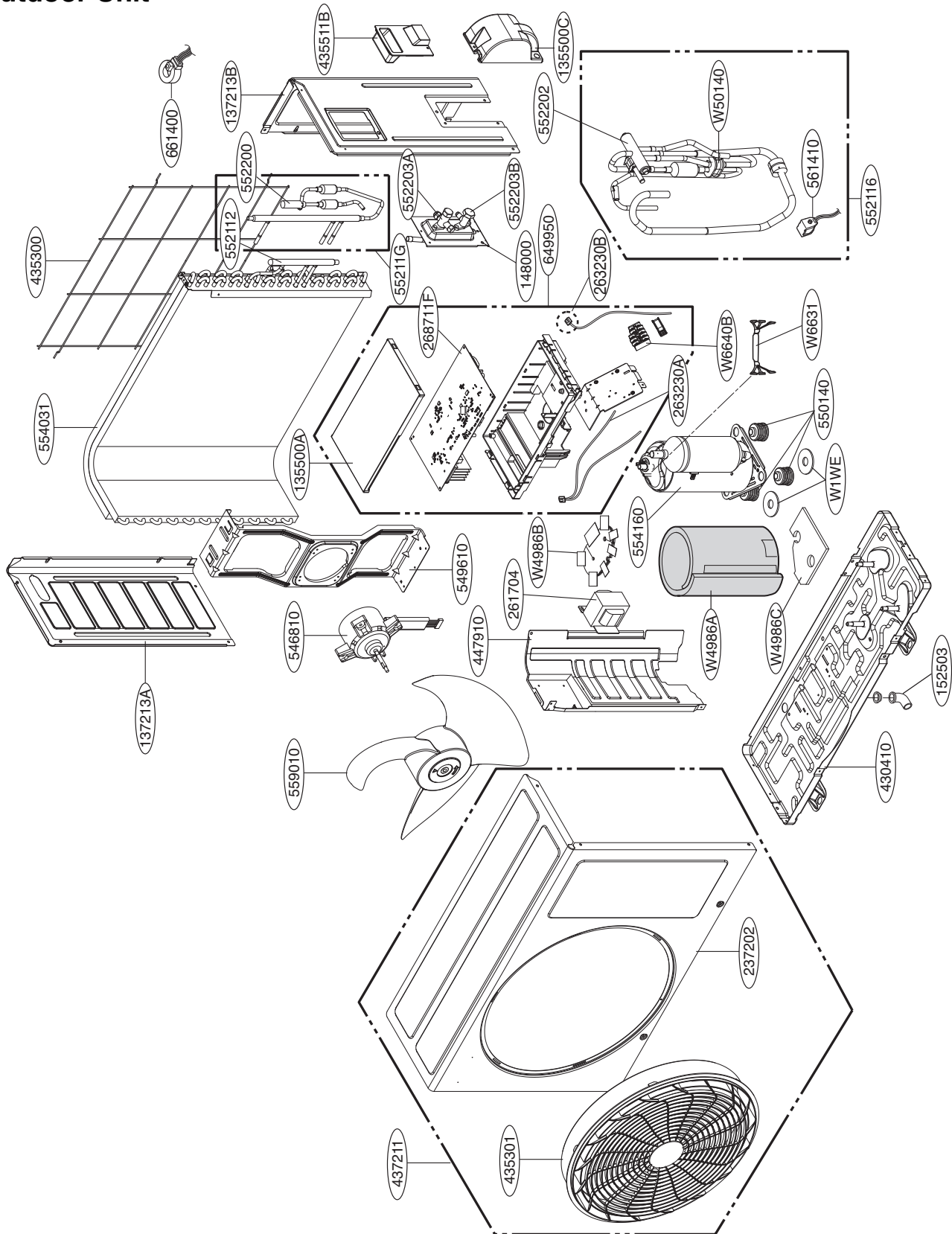
# 3. Wiring Diagrams

## Outdoor Unit



# Exploded View

## Outdoor Unit





P/NO : MFL42201038

OCTOBER, 2010