



Internal Use Only

<http://biz.lgservice.com>

# Room Air Conditioner

## SVC MANUAL(Exploded View)

**MODEL : ASNH07GB1U0  
ASNH09GB1U0  
ASNH12GB1U0**

### **CAUTION**

Before Servicing the unit, read the safety precautions in General SVC manual.  
Only for authorized service personnel.

# 1. Specification

## Indoor

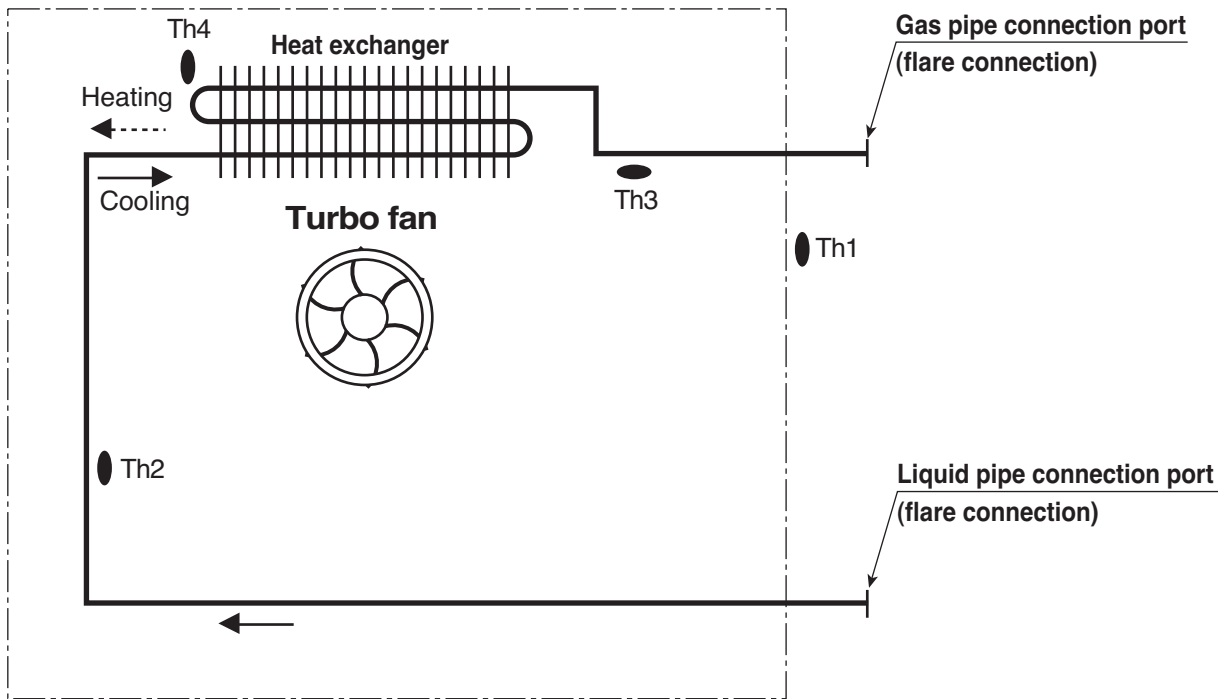
Model			ASNH07GB1U0 [CS07AQ NB0]	ASNH09GB1U0 [CS09AQ NB0]	ASNH12GB1U0 [CS12AQ NB0]
Power supply		Ø/V/Hz	1/ 220~240/ 50	1/ 220~240/ 50	1/ 220~240/ 50
Current		A	0.1	0.15	0.15
Fan	Motor type		BLDC	BLDC	BLDC
	Fan type		Cross Flow Fan	Cross Flow Fan	Cross Flow Fan
Dimensions (W x H x D)		mm(inch)	885 x 285 x 210(34.8 x 11.2 x 8.2)	885 x 285 x 210(34.8 x 11.2 x 8.2)	885 x 285 x 210(34.8 x 11.2 x 8.2)
Piping connections	Liquid	mm(inch)	6.35 (1/4)	6.35 (1/4)	6.35 (1/4)
	Gas	mm(inch)	9.52 (3/8)	9.52 (3/8)	9.52 (3/8)
Refrigerant control			EEV(in Outdoor unit or BD)	EEV(in Outdoor unit or BD)	EEV(in Outdoor unit or BD)
Power&transmission cable		No. x mm <sup>2</sup>	4*0.75	4*0.75	4*0.75

### Note:

- Capacities are based on the following conditions:
  - Cooling: - Indoor Temperature 27°C(80.6°F) DB/19°C(66.2°F) WB
  - Outdoor Temperature 35°C(95°F) DB/24°C(75.2°F) WB
  - Heating: - Indoor Temperature 20°C(68°F) DB/15°C(59°F) WB
  - Outdoor Temperature 7°C(44.6°F) DB/6°C(42.8°F) WB
  - Piping Length - Interconnecting Piping Length 7.5m
  - Level Difference of Zero
- Wiring cable size must comply with the applicable local and national code.
- The specification may be subject to change without prior notice for purpose of improvement.

Conversion Formula
kW = Btu/h x 0.0002931
cfm = CMM x 35.3

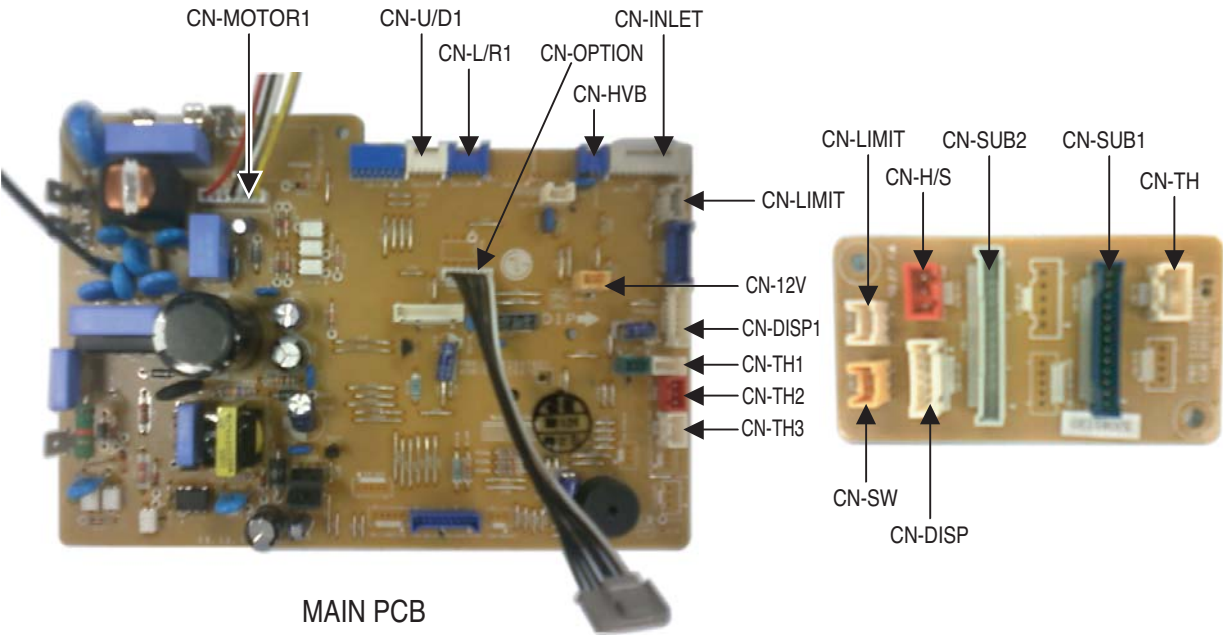
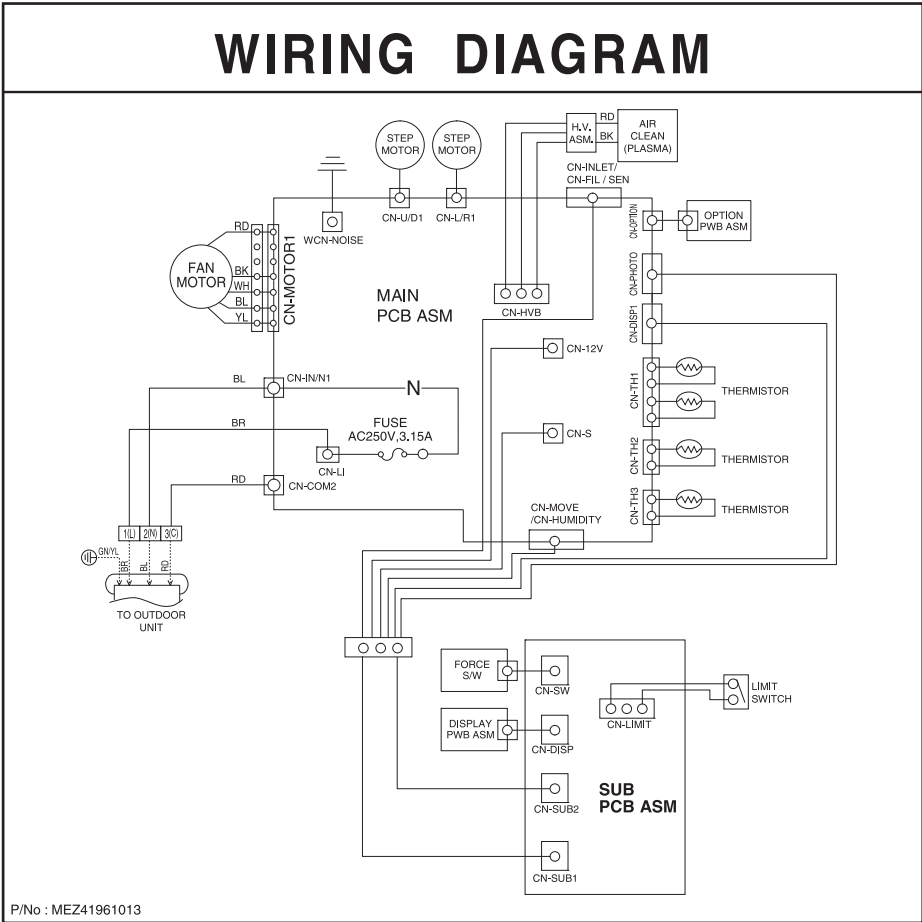
## 2. Piping Diagrams



LOC.	Description	PCB Connector
Th1	Thermistor for suction air temperature	CN-TH1(Indoor)
Th2	Thermistor for evaporator inlet temperature	
Th3	Thermistor for evaporator outlet temperature	CN-TH2(Indoor)
Th4	Thermistor for evaporator middle temperature	CN-TH3(Indoor)

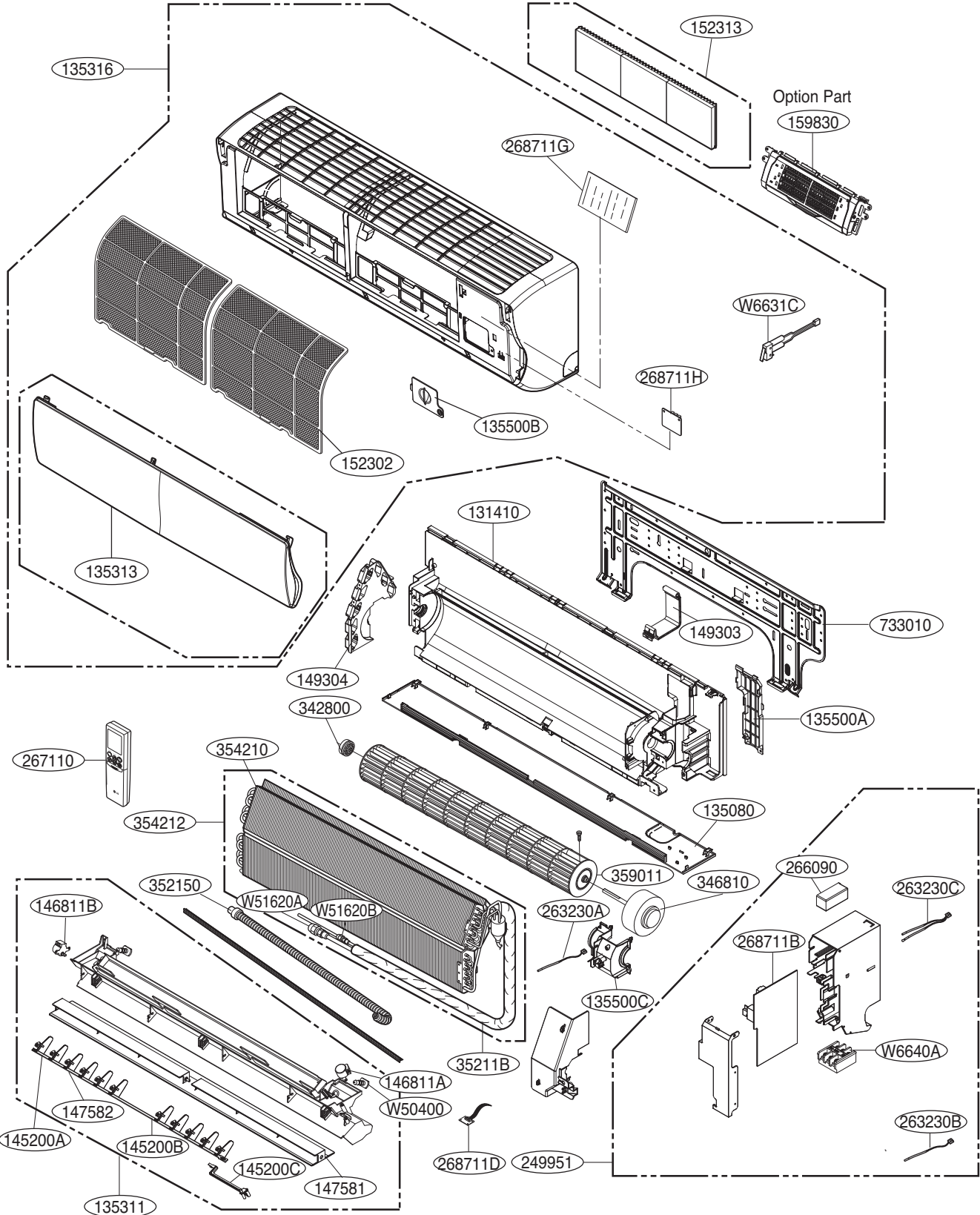
# 3. Wiring Diagrams

## Indoor Unit



# 4. Exploded View

Model : ASNH07/09/12GB1U0





P/NO : MFL42201009

NOVEMBER, 2009